

# GATEMASTER SELECT PRO WELD IN LONG THROW KEYLATCH



SPECIFICATION  
SHEET / 170

- Gate will lock shut and will require the key to open every time.
- Stainless steel latchbolt which springs a unique 22mm into the gate post. Long throw for extra security.
- Supplied with bolt guide plate and gate post strike plate to ensure extra smooth closing action.
- Adjustable latchbolt for precise fitting. Easy to rotate for LH and RH gates.

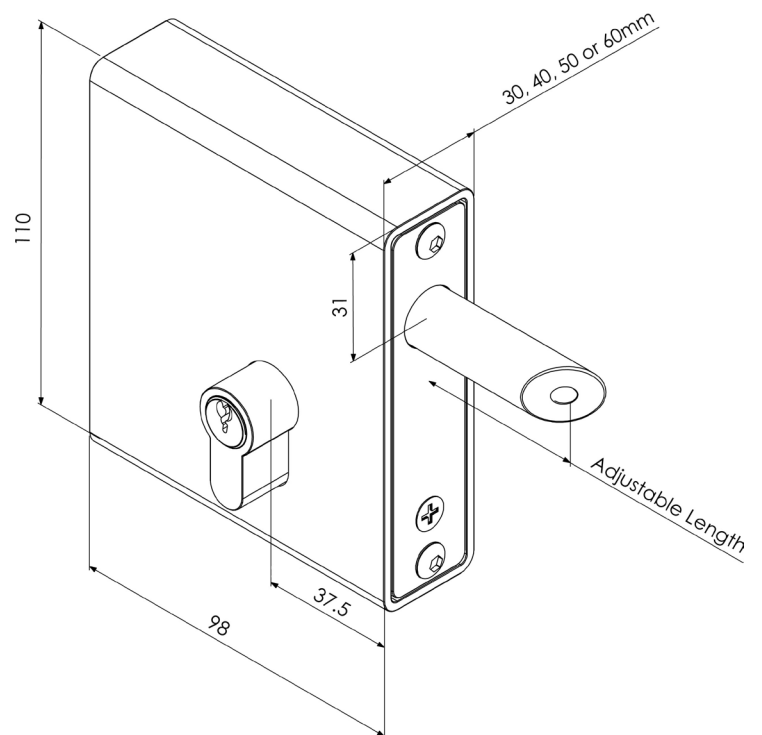


## PRODUCT DETAILS

| Product code: | Description:              |
|---------------|---------------------------|
| SWKLLT1630    | For 30mm wide gate frames |
| SWKLLT1640    | For 40mm wide gate frames |
| SWKLLT1650    | For 50mm wide gate frames |
| SWKLLT1660    | For 60mm wide gate frames |

Latchbolts: Adjustable, latchbolt springs 22mm.

Perfect for both left handed and right handed gates.



## INSTALLATION

- Weld the lockcase to the gate and galvanise or paint as part of the gate.
- Fit the lock and eurocylinder into the lockcase and secure with screws.
- MAINTENANCE** Every two months, lubricate the latchbolt with light oil. Annually, dismantle lock and spray the mechanism inside with light oil.



 **GATEMASTER**

VISIT [SIGNETLOCKS.CO.UK](http://SIGNETLOCKS.CO.UK) FOR MORE INFORMATION