

SUPERLOCK LATCH DEADLOCK



- G** Easy to fit - Slim 70mm wide stainless steel lock case along with adjustable and removable latchbolt ensure easy fitting to gates.
- G** Latchbolt is adjustable in length for precise fitting on site. Easy to rotate for left and right handed gates.
- G** Supplied with handles - two styles available.
- G** Supplied with bolt support plate and gate post strike plate.



Black lever handle

PRODUCT DETAILS

Product code:	Description:
BLD1030	To fit flat bar and up to 30mm box section
BLD4060	To fit 40 to 60mm box section

Style of handle:	Description:
T	Traditional handle set
S	Black lever handle set

Bolts: Adjustable, latchbolt springs 15mm and deadbolt moves to 30mm.

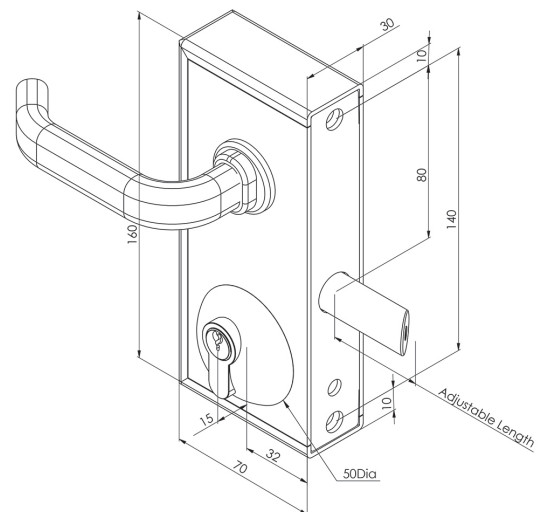
Perfect for both LH/RH gates.



Traditional handle

INSTALLATION

1. Drill 2 x 9mm holes at 140mm centres for fixing bolts provided.
3. Drill a second 18mm clearance hole for the latchbolt at 60mm centres up from the bottom fixing hole.
4. Hold the lock against the back of the box section and screw the latchbolt through the bottom 18mm hole.
5. Lock the latchbolt and deadbolt with the hex key supplied by inserting the hex key into the end of the latchbolt and the deadbolt.
6. Fix lock in place using the stainless steel bolt support plate and the countersunk screws provided. Ensure the latchbolt and deadbolt move freely.
7. Fix strike plate by either welding or screw fixing onto the gate post
8. **MAINTENANCE** Every 6 months, lubricate the latchbolt and deadbolt with light oil. Annually, dismantle the lock and spray mechanism with light oil.



VISIT GATEMASTERLOCKS.COM FOR MORE INFORMATION

