

GATE RESTRAINER



SPECIFICATION SHEET

GRS

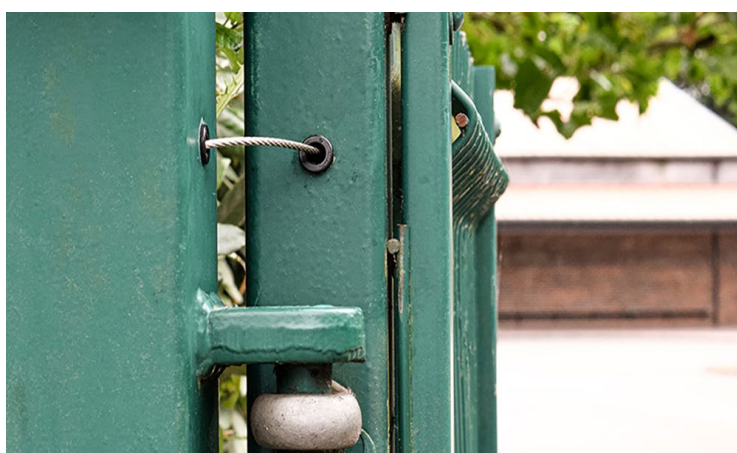
- A simple but essential safety device to prevent the gate falling over should the top hinge fail
- Tough design, with stainless steel wire rope and robust crimped end ferrules
- Easy to fit - simply drill a 13mm hole in the gate and the post.
- Tested on gates up to 500kg



PRODUCT DETAILS

Product code:	Description:
GRS03	Gate restrainer for gates up to 260kg
GRS04	Gate restrainer for gates up to 500kg

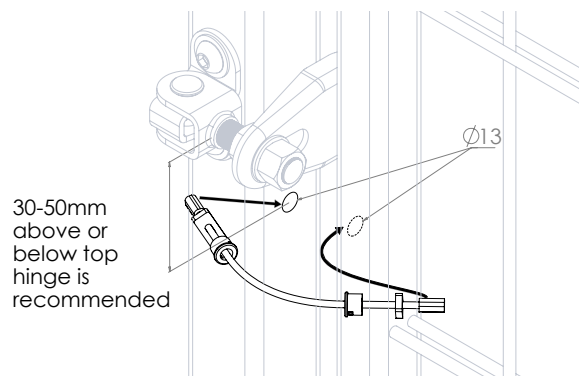
Materials: Stainless steel + brass
Plastic cover bushes included



INSTALLATION*

***Important note - strict installation and usage conditions apply. Some gate configurations will not be made safe using this device, refer to conditions of use below.**

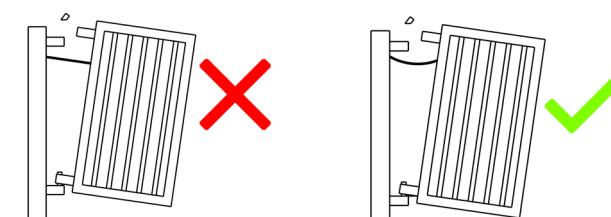
- Drill a 13mm hole into the gate and the post, 30-50mm above or below the top hinge.
- Slot the 2 end stops into the holes and push on the plastic bushes. These protect the gate from scratches and allow the wire to slide in and out easily.



CONDITIONS OF USE

*Check condition of restrainer every 6 months and replace if damaged.

**The device is designed to prevent the gate falling sideways rather than taking its full weight. If the restraining device becomes taut before the bottom of the gate rests on the ground, this device is not suitable for your gate.



 GATEMASTER

VISIT GATEMASTERLOCKS.COM FOR MORE INFORMATION

