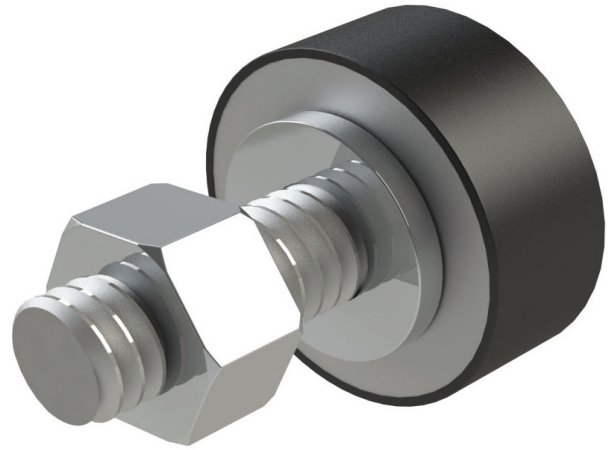


- Prevent gates slamming shut by installing this gate bump stop.
- Made of rubber to reduce the noise made when a gate closes.
- Simply screw into the gate stop.

PRODUCT DETAILS

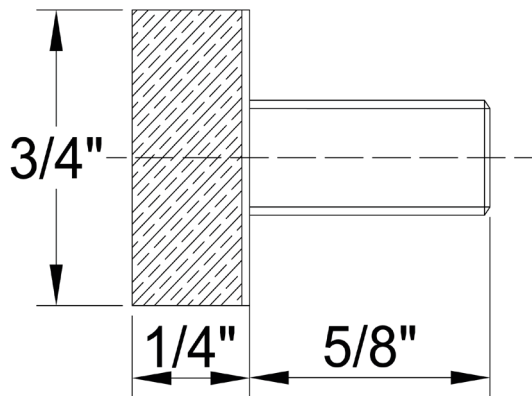
Product code:	Description:
BS18	3/4" diameter x 1/4" buffer
BS50	2" diameter x 1-1/8" buffer

Thread size BS18	M6 x 5/8"
Thread size BS50	M10 x 1"

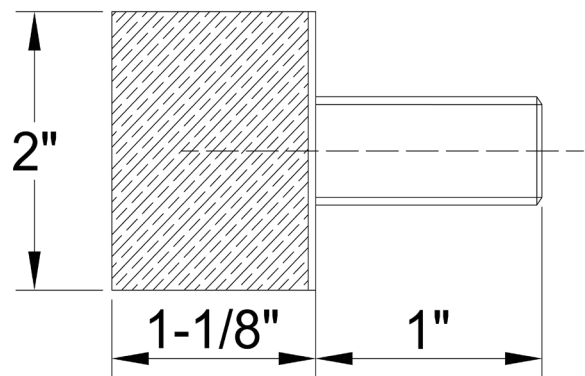


INSTALLATION

- Drill a 1/4" (or 1-1/8") hole in your gate stop and insert the bump stop, securing using the M6 (or M10) nut provided.



BS18



BS50



VISIT [GATEMASTERLOCKS.COM](https://www.gatemasterlocks.com) FOR MORE INFORMATION

