

SUPERLOCK BOLT ON KEEP



SPECIFICATION SHEET

BSK

- ◻ Slim keep that fits between the gate and the post for use with the Superlock range of locks
- ◻ Secure – Prevents access to the latchbolt
- ◻ Improves gate appearance – Slim design blends in well with the gate
- ◻ Versatile – Gate keep is simple and easy to fit to a wide range of applications.



PRODUCT DETAILS

Product code:	Description:
BSK	Superlock keep

Includes: Self expanding fixings for post bracket

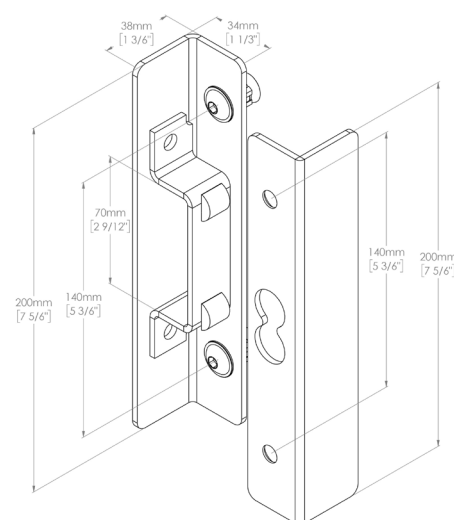


Expanding fastener



INSTALLATION

1. Drill 2 x 15mm (5/8") dia. holes at 140mm (5 1/2") centres in the gate post for 2x expanding fasteners.
2. Insert expanding fasteners through the post bracket into the post, and tighten with a 5mm allen key
3. Drill 2x 9mm (3/8") holes at 140mm (5 1/2") centres in the gate (these will have already been drilled when fitting with a Superlock) and bolt the bracket on using the M8 fixing bolts supplied with the lock.



GATEMASTER

VISIT GATEMASTERLOCKS.COM FOR MORE INFORMATION

