

LOCKING DROPBOLT



- G Robust** – Strongly constructed from galvanised and powdercoated hardware with options for an aluminium or stainless steel bolt.
- G Easy to fit** – Needs just two 19/32" holes in the gate and fixed with the expanding fasteners provided.
- G Adaptable** – Fits left and right hand gates
- G Innovative and secure** – Once the dropbolt is lowered and rotated, closing the second gate prevents the dropbolt being unlocked.



PRODUCT DETAILS

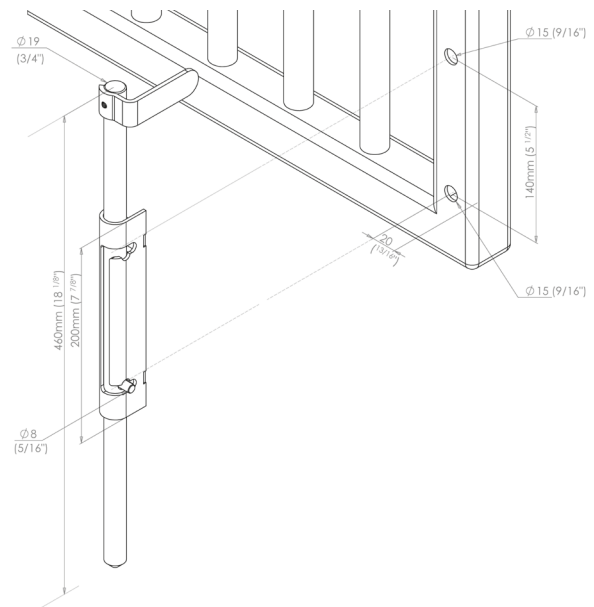
Product code:	Description:
LDB	Locking dropbolt, aluminium bolt
LDBSS	Locking dropbolt, stainless steel bolt

Dropbolt diameter 3/4"
Dropbolt movement 5-1/2"



INSTALLATION

- Drill 2x 19/32" holes, 3/4" from the leading edge of the gate at 5-1/2" centres, and fix the dropbolt guide to the gate with the 2 expanding fasteners supplied.
- Fit the small location pin into the most suitable of the 3 location holes with the smaller screw provided.
- Slide the dropbolt into the dropbolt guide, with the location pin facing into the back corner and then twist into position.
- Fix the lift plate to the dropbolt in the correct position with the screw provided.



MAINTENANCE

Lubricate sliding parts when needed.



VISIT GATEMASTERLOCKS.COM FOR MORE INFORMATION

