

SELECT PRO WELD IN DEADLOCK



- Stainless steel deadbolt which moves 30mm (1-1/8") with one turn of the key.
- Deadbolt is adjustable on length for precise fitting on site.
- Lockcase made of 2.5mm (1/8") steel.
- Very easy to fit and comes in four widths.



PRODUCT DETAILS

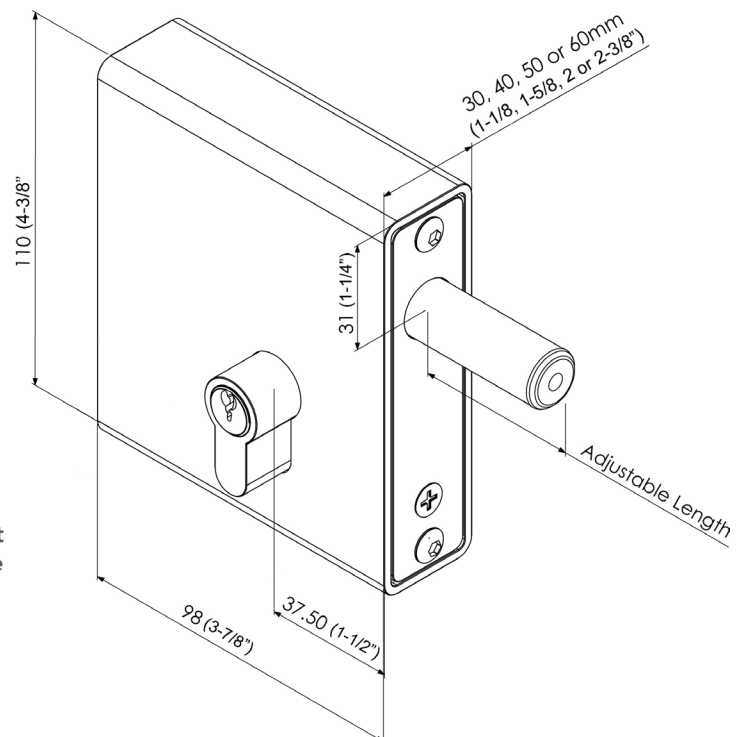
Product code:	Description:
SWD1630	For 30mm (1-1/8") wide gate frames
SWD1640	For 40mm (1-5/8") wide gate frames
SWD1650	For 50mm (2") wide gate frames
SWD1660	For 60mm (2-3/8") wide gate frames

Deadbolt: Adjustable, moves 30mm (1-1/8").

Can be used for both left and right handed gates.

This weld-in lock can be galvanised or powder coated with the rest of the gate. Just remove the internal lock mechanism and weld the case in place before painting or powder coating.

This lock is supplied with a brushed stainless steel keep plate and 2x drill screws to fit this to the gate post.



INSTALLATION

- Disassemble the lock by removing the 3 screws from the face plate of the lock, remove the face plate, and then remove the euro cylinder (twist the key 15 degrees clockwise or anti-clockwise to release). The insides of the lock will then slide out.
- Weld the lockcase to the gate and galvanise or paint as part of the gate.
- Fit the lock and eurocylinder into the lockcase and secure with screws.
- MAINTENANCE** Every two months, lubricate the latchbolt with light oil. Annually, dismantle lock and spray the mechanism inside with light oil.



VISIT GATEMASTERLOCKS.COM FOR MORE INFORMATION

