

DIGITAL GATE LOCK DOUBLE SIDED



SPECIFICATION
SHEET / DGL

- Ⓜ A marine grade Digital Gatelock with many unique features.
- Ⓜ Auto-latching – close the gate and the latchbolt latches into the gate frame. To open the gate - enter the code and turn the handle.
- Ⓜ No power needed – High quality digital keypads ensure long lasting durability.
- Ⓜ This lock is the Gatemaster Digital Gate Lock double sided. Which means the access on both side is made via digital keypads for extra security.



PRODUCT DETAILS

Product code:	Description:
DGL01	For 10 - 30mm gate frame
DGL02	For 40 - 60mm gate frame

Marine grade: Salt spray tested for 1000 hours.
Latchbolt: Adjustable, moves 22mm. Auto-latching when gate closes.

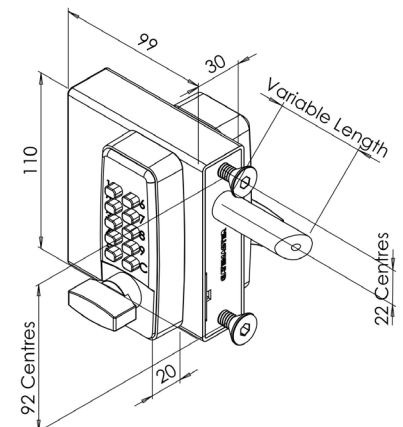
Includes: Strike plate.

No power needed.



INSTALLATION

1. Drill 2 x 9mm dia. holes at 92mm centres for M8 fixing bolt.
2. Drill 18mm clearance hole for latchbolt at 22mm centres down from the top 9mm hole.
3. Fix lock in place using stainless steel clamp plate, bolt support plate and 2 stainless steel countersunk fixing bolts supplied.
5. Drill clearance hole in gate post to receive the latchbolt. Slot this hole vertically to allow for gate sag – fix strike plate and bend back so the latchbolt slides smoothly.
6. Ensure latchbolt moves freely without binding on gate or frame.
7. **HOW TO ADJUST** To adjust latchbolt length and/or to change to RH/LH insert 3mm long arm hex key (supplied) into end of bolt and release locking screw. Rotate bolt as required and re-tighten locking screw. Lubricate with light oil periodically.



 **GATEMASTER**

VISIT GATEMASTERLOCKS.COM FOR MORE
INFORMATION

DIGITAL GATE LOCK DOUBLE SIDED

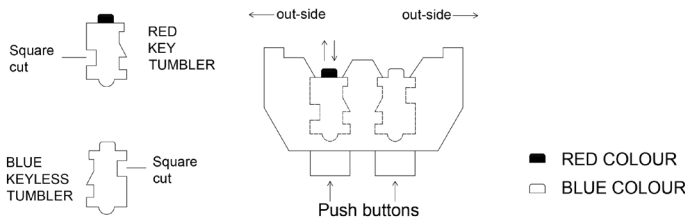
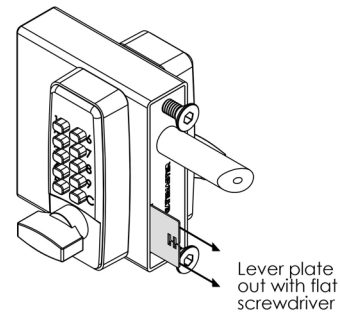


LOCK CODE:

C _ _ _

TO CHANGE THE CODE

1. Check the original code is working on both keypads
To remove the keypads – Insert a flat screwdriver into the hole in the forend plate and lever out the keypad retaining plate. This will release one keypad. Slide out the lock mechanism and the other keypad can then be removed by accessing the screws through the lockcase.
2. Turn the keypad over and remove the 4 red screws
3. Lift off the covering panel. Be careful as there are 10 springs attached to this panel. Note that the red tumblers relate to the code shown above. Also note that the C tumbler is uncoloured and should not be removed.
4. To change the code hold the keypad with the code buttons down and depress & hold the C button (if this is not done you may damage some of the internal components). Reposition the tumblers to the new code (red tumblers are coded and blue tumblers are uncoded). Ensure that the square cut-out on each tumbler is facing the outside of the lock body, also ensure that the coloured mark is facing upwards. If any one tumbler is upside down or the wrong way round the lock will not work and if forced will break the internal components. The code must always start with a 'C'



5. Replace the covering panel and tighten the 4 red screws.
6. The code is now changed, check to see that it is working correctly and make a note of the code for future reference. Once satisfied that the lock is working correctly refit keypads to the lock case.

MAINTENANCE

3 monthly:

1. Remove keypads from the lock
 2. Spray the inside of the lock thoroughly with WD40 or equivalent, through the tumbler holes at the back of the lock
 3. Spray all the fixing accessories and the latch with WD40 or equivalent.
- Push each of the buttons and rotate the knob several times to make sure the lock is working smoothly



VISIT GATEMASTERLOCKS.COM FOR MORE INFORMATION

