

# SUPERLOCK BOLT ON GAPLESS KEEP



- Simple keep that fits between the gate and the post for use with the Superlock range of locks
- Slim profile enables a small gap between gate and post
- Improves gate appearance – narrow profile blends in well with the gate
- Versatile – simple and easy to fit to a wide range of applications.



## PRODUCT DETAILS

Product code:	Description:
BSKG	Superlock gapless keep

Includes: Self expanding fixings for post bracket

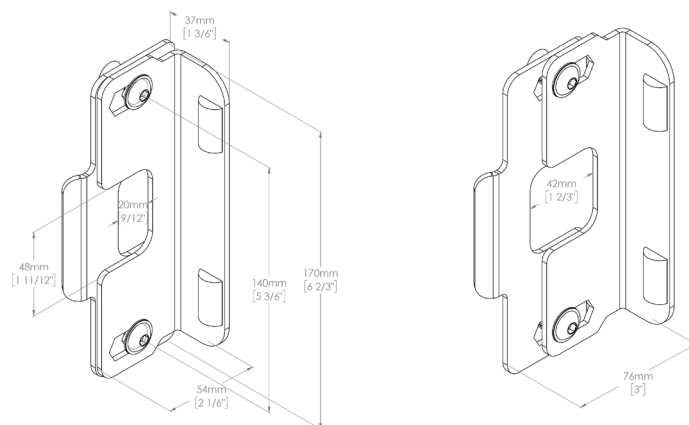


Expanding fastener



## INSTALLATION

- Drill 2 x 15mm (5/8") dia. holes at 140mm (5 1/2") centres in the gate post for 2x expanding fasteners
- Cut a slot in the post to receive the latch, at a minimum of 18mm (3/4") wide
- Insert expanding fasteners through the post bracket into the post, adjust as necessary and tighten with 5mm allen key



VISIT [GATEMASTERLOCKS.COM](http://GATEMASTERLOCKS.COM) FOR MORE INFORMATION

