

ELECTRIC RELEASE, MORTICE, HEAVY DUTY



- This heavy duty electric release with an integral switch can be used to confirm that a gate is closed
- Converts to fail safe (unlocks when power fails) or fail secure (remains locked when power fails)
- Robust product with a stainless steel faceplate and a deep locking tongue to allow for more gate tolerance

PRODUCT DETAILS

Product code:	Description:
ERHDM	Heavy duty mortice release with monitor

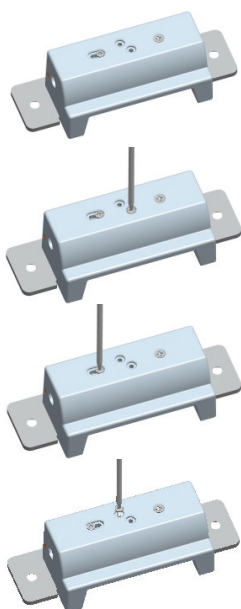
Dimensions:	(L x W x D)
Lock body (incl. lip):	3-3/8" x 1-3/8" x 1-23/32"
Short faceplate:	4-7/8" x 1-17/64" x 1/8"
Long faceplate:	6-1/2" x 1-17/64" x 1/8"

Voltage: 12VDC
 Current: 250mA nominal
 Feature: Fail Secure(NO)
 Fail Safe(NC)

Red: +ve 12Vdc
 Black: -ve 12Vdc
 White: COM
 Green: N.O.
 Yellow: N.C.



Mode Change



The unit is supplied in "Fail-Secure" mode, as shown in the picture on the left. Changing the mode to "Fail-Safe" is an easy operation, moving the position of 2x screws at the back of the unit - please follow the steps shown below:

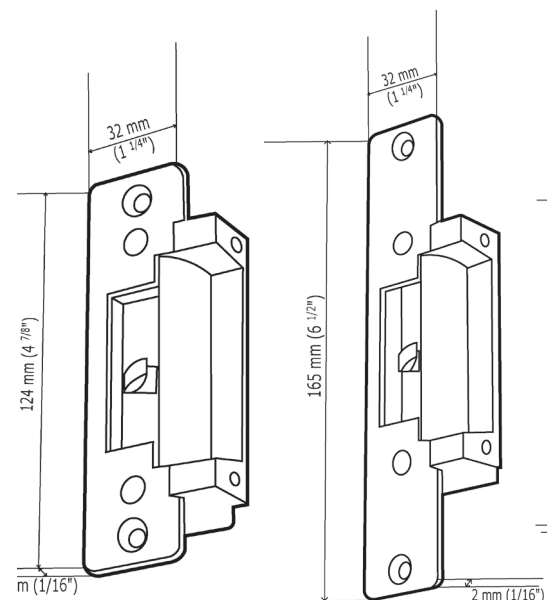
STEP 1
 Remove the locking screw from the fail-secure position as shown

STEP 2
 Loosen the adjustable screw, and slide it to the opposite end of the oblong hole. Tighten the adjustable screw.

STEP 3
 Replace the locking screw into the fail-safe position as shown

Option 1 - short faceplate

Option 2 - long faceplate



VISIT GATEMASTERLOCKS.COM FOR MORE INFORMATION

