

MORTICE HOOK LOCK



SPECIFICATION SHEET

ML4

The Gatemaster Mortice Hook Lock is a unique marine grade lock that incorporates a latch and deadlock in one single-action bolt.

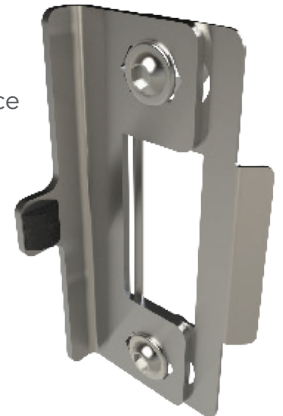
- ✔ Fits 1-5/8" box section
- ✔ Backset 3/4"
- ✔ Latch + deadbolt in one hook
- ✔ Operated with key and handle
- ✔ All stainless steel with brass latch
- ✔ Tested to 1,000,000 openings!



PRODUCT DETAILS

Product code:	Description:
ML4 DC	Mortice hook lock, dual cover
ML4 FC	Mortice hook lock, full cover
Handle P	Plain lever handle
Handle O	Ornamental lever handle
Kit includes:	Mortice lock, Mortice lock keep, 3 keys, 2-3/8" euro cylinder, pair of handles, face plate, cover plate(s)

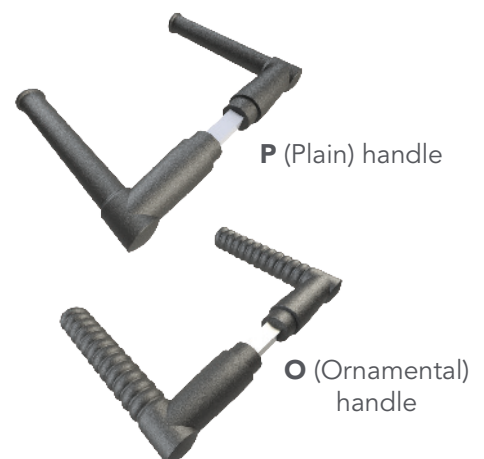
MLK - Mortice Lock Keep (included)



ML4 DC (Dual Cover) with plain handles



ML4 FC (Full Cover) with ornamental handles



 GATEMASTER

VISIT GATEMASTERLOCKS.COM FOR MORE INFORMATION

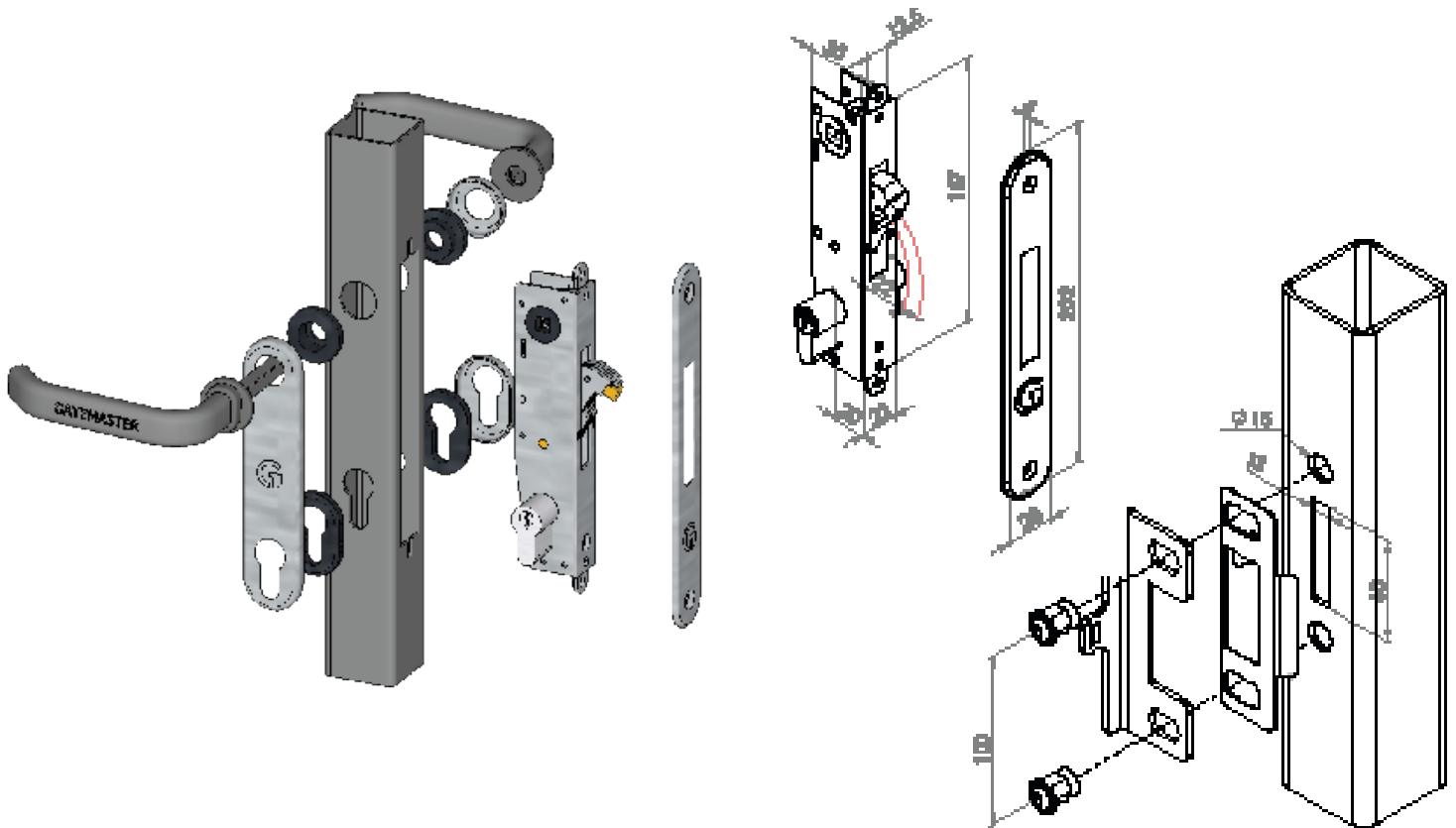
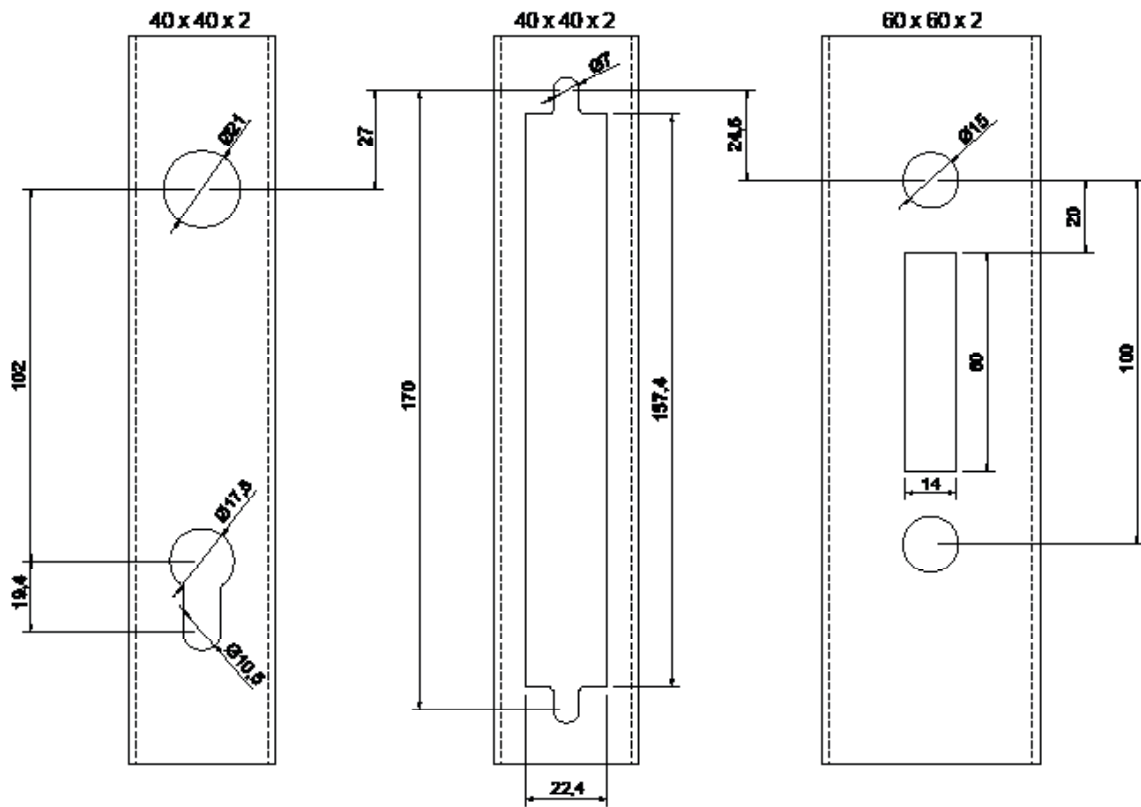


MORTICE HOOK LOCK



SPECIFICATION SHEET

ML4



GATEMASTER

VISIT GATEMASTERLOCKS.COM FOR MORE INFORMATION